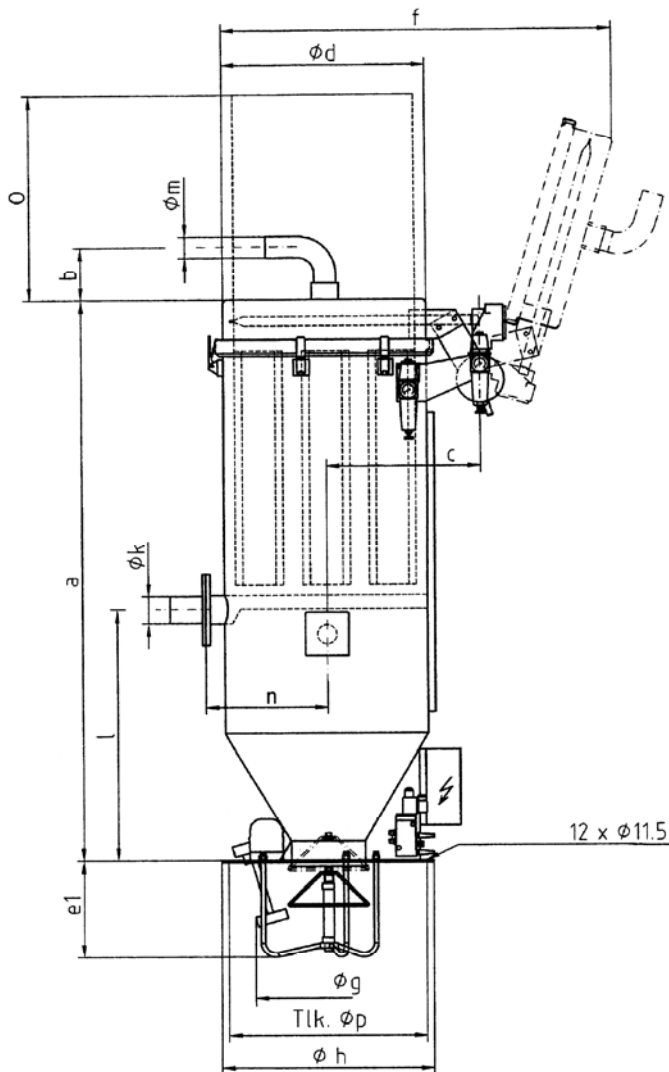
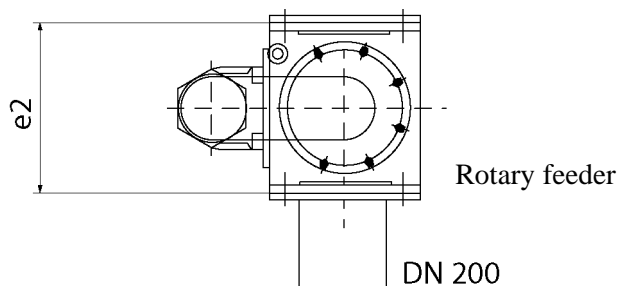


Suction conveyor type SFG 2 / 3 / 6



| Type | SFG2 | SFG3 | SFG6 |
|-----------------------------------------|----------|------|------|
| a | 910 | 1200 | 1400 |
| b | 150 | 150 | 150 |
| c | 340 | 340 | 430 |
| Ød | 380 | 380 | 560 |
| e1 | 260 | 260 | 260 |
| e2 | 320 | 320 | 320 |
| f app. | 800 | 800 | 1100 |
| Øg | 400 | 400 | 420 |
| Øh | 484 | 484 | 587 |
| Øk | 50/65/80 | | |
| l | 400 | 400 | 420 |
| Øm | 60 | 60 | 60 |
| n | 300 | 240 | 330 |
| o app. | 250 | 480 | 480 |
| Øp | 448 | 448 | 551 |
| Filter area hose [m ²] | 0,6 | 1,3 | 2,7 |
| Filter area cartridge [m ²] | 2,2 | 4,4 | 8,8 |
| Number of filter hoses | 9 | 9 | 19 |
| Number of filter cartridges | 2 | 2 | 4 |
| Number of diaphragm valves | 1 | 1 | 3 |
| Nett volume of product hopper [l] | 24 | 24 | 63 |
| Dead weight app. [kg] | 50 | 60 | 100 |
| Power of side channel blower app. [kW] | 2,2-7,5 | | |



All dimensions in mm
Subject to changes, HELIOS 06/2011